

Technical data sheet



Product features

Steak grill electric 32x48 table durable chrome

Model	SAP Code	00021113
KD 33 E	A group of articles - web	Grills and grill plates



- Griddle dimensions [mm x mm]: 320 x 480 + 320 x 380
- Griddle thickness [mm]: 10.00
- Container for liquid fat: Yes
- Independent heating zones: Separate control for top and bottom plate
- Maximum device temperature [°C]: 300
- Surface finish: durable chrome

SAP Code	00021113	Net Weight [kg]	40.00
Net Width [mm]	705	Power electric [kW]	6.000
Net Depth [mm]	395	Loading	230 V / 1N - 50 Hz
Net Height [mm]	482	Griddle dimensions [mm x mm]	320 x 480 + 320 x 380

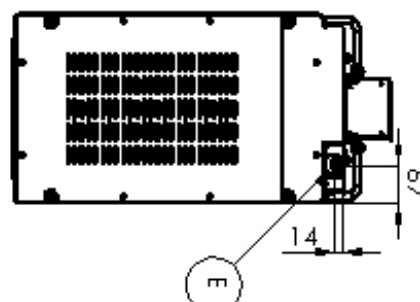
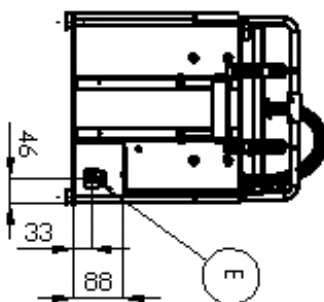
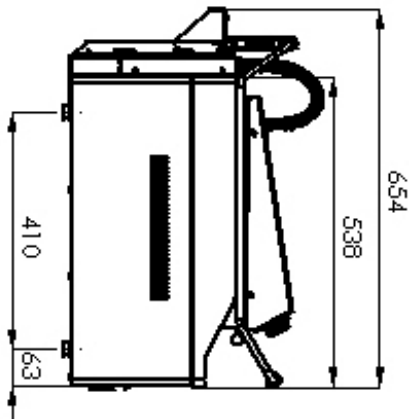
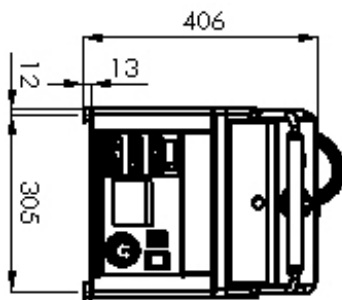
Technical data sheet



Technical drawing

Steak grill electric 32x48 table durable chrome

Model	SAP Code	00021113
KD 33 E	A group of articles - web	Grills and grill plates



Technical data sheet



Product benefits

Steak grill electric 32x48 table durable chrome

Model	SAP Code	00021113
KD 33 E	A group of articles - web	Grills and grill plates

1

Nationheres

Only stainless steel used for food contact

- Absolutely stainless steel and non -magnetic design resists even weaker acids easier to fill hygiene standards (HACCP); Simple maintenance and cleaning

2

Chrome 0.03mm

non -stick dishes when roasting easier to clean the board

- Faster and easier work to operate a higher quality of food

3

Self -controlled control for upper and lower heating

can i control both areas independent of each other

- Better adjustability and saving el. Energy more uniformly cooking I can prepare more types of meals and faster on one device

4

Upper contact area with Teflon canvas

non -backed rollers
uniform warming the rolls

- faster and easier work for service
- faster preparation
- maintaining the shape of food
- faster closed surface of food from both sides of more juicy meat

Technical data sheet



Technical parameters

Steak grill electric 32x48 table durable chrome

Model	SAP Code	00021113
KD 33 E	A group of articles - web	Grills and grill plates

1. SAP Code:

00021113

2. Net Width [mm]:

705

3. Net Depth [mm]:

395

4. Net Height [mm]:

482

5. Net Weight [kg]:

40.00

6. Gross Width [mm]:

395

7. Gross depth [mm]:

705

8. Gross Height [mm]:

482

9. Gross Weight [kg]:

44.00

10. Device type:

Electric unit

11. Construction type of device:

Table top

12. Power electric [kW]:

6.000

13. Loading:

230 V / 1N - 50 Hz

14. Protection of controls:

IPX4

15. Material:

AISI 430

16. Indicators:

operation and warm-up

17. Surface finish:

durable chrome

18. Maximum device temperature [°C]:

300

19. Minimum device temperature [°C]:

50

20. Griddle dimensions [mm x mm]:

320 x 480 + 320 x 380

21. Griddle thickness [mm]:

10.00

22. Container for liquid fat:

Yes

23. Independent heating zones:

Separate control for top and bottom plate

24. Uniform heating:

Yes

25. Cross-section of conductors CU [mm²]:

2,5